

EURO 280

User Manual



Software version ≥ 9.51

RINS1860-3



Castle



Contents

Feature Highlights	3	Master Manager menu: Change Codes (keyfobs)	18
User Friendly Keyfobs	4	Master Manager menu: Review Logs	19
User Automation Outputs	4	Master Manager menu: SMS Phonebook	20
Operating the Euro 280 Panel	5	Master Manager menu: Walk Test, Siren Test	20
Menu Navigation and Button Operation	6	Master Manager menu: Dial Out Menu	21
Chime Feature:	7	Master Manager menu: Allow Engineer Menu	21
HU Alarm from keypad:	7	Master Manager menu: Block Remote Set	22
Using the Keyfob - The Buttons:	8	Master Manager menu: Block UDL	22
Setting your Euro 280 Panel	9	Master Manager menu: Exit Master Manager menu	23
Unsetting your Euro 280 Panel	10	Engineer Contacts / Installation Record Table	24
Setting / Unsetting with the Tag Reader	11	User tables (01 - 108)	25
The Wireless Arming Station	12	User tables (109 - 224)	26
Master Manager menu options	13	User tables (225- 340)	27
Entering the Master Manager menu	14	User tables (341- 456)	28
Master Manager menu: Date and Time	14	User tables (457- 500)	29
Master Manager menu: Operate User Automation Outputs	15	Pyronix Guarantee	30
Master Manager menu: Omit Inputs	15	Notes	31
Master Manager menu: Change Codes (user codes)	16	Product Information	32
Master Manager menu: Change Codes (proximity tags)	17		

Two Way Wireless High Security *(if optional wireless ZEM is installed)*

Thank you for choosing this alarm system as protection for your property. It is designed to conform to the latest industry standards. There are many features that the alarm system has, and these can be explained in detail by your alarm engineer. Wireless peripherals may be used on this alarm system; these include wireless sensors and wireless set/unset keyfobs. Please ask your alarm engineer for more details. With a host of features and accessories, the EURO 280 alarm system offers maximum flexibility and ensures that each alarm system can be individually tailored to the needs of the application.

High Performance CPU

The EURO 280 features a CPU that has plenty of headroom, ensuring that the system performs instantaneously, no matter whether it is operating in a small property - or as a fully loaded commercial system.

Battery Monitoring/Saving

Advanced technology preserves the battery life of each wireless device. The EURO 280 panel also informs you in advance of when a battery needs replacing -giving you enough time to change the battery in the specific device, before it stops working. This key feature keeps your environment fully protected, unlike other conventional systems.

High Security Encryption

128 bit high security wireless encryption protocol and intelligent wireless jamming detection ensure that your alarm system is protected from sophisticated attacks as well as physical anti-tamper mechanisms throughout our range of panels, detectors and peripherals.

User Friendly Keyfobs (requires EURO-ZEM32-WE option)

The two-way wireless keyfob allows you to see the status of your EURO 280 Panel via three colour LEDs:

System arm: A RED LED will illuminate.

System disarm: A GREEN LED will illuminate.

System fault: An AMBER LED will illuminate.

(this will flash if the keyfob is unable to set the system)

It is possible to allocate different functions to each keyfob, such as: setting or unsetting different areas, activating outputs to control external devices (such as: gates), requesting the system status and activating HU (Hold-Up / Panic alarms).

Up to 32 wireless keyfobs can be added to your EURO 280 Panel of which each have their own unique ID. These are stored in the event log of the EURO 280 Panel individually. The keyfob also allows you to individually set or unset every area, giving you total control of your system.

NOTE: Keyfobs may only be used if the EURO-ZEM32-WE is installed.
Ask your engineer for more information.

User Automation Outputs

The EURO 280 Panel gives you the option to operate up to 30 devices (such as: gates, lights, sprinklers.), via your keypad or remotely via your keyfob or arming station.



Operating the **EURO 280** Panel

Default Master Manager Code: 2222 (Press D Key before entering code).

Menu Navigation and Button Functions

EURO-LCDPZ

Surface / Flush Mount Keypad

This keypad has arrow keys and programmable Fire and Hold-up keys.

The Fire and Hold-up keys will only function if they have been programmed by your engineer.



Hold-Up Alarm key (see page 7)



Left Arrow Key (scrolls left in menu)

Right Arrow Key (scrolls right in menu)

Menu Navigation and Button Functions



The Master Manager menu allows you to set up specific features by asking you a series of setup questions:

- No** - Scrolls forwards in the main menu and sub-menus / returns you to the previous menu level once you have scrolled through all of the options.
- Yes** - Selects items and enters into a sub-menu or option.

Main menus are in capital letters and finish with a question mark, e.g. 'CHANGE CODES?'

Sub-menus are in lower case letters and finish with a question mark, e.g. 'Add New User?'

Programmable options are in lower case letters and DO NOT finish with a question mark, but instead: 'Yes/No', or other options, such as: 'User / Manager'.

To navigate through the menu system, simply answer the questions in the main and sub-menus. For example, if the question is: 'CHANGE CODES?', pressing [YES] will take you into the sub-menu 'Add New User?', and pressing [YES] again will then take you into the programmable options of this sub-menu. If at this point you press [NO], you will be taken out of the individual option. Continue to press [NO] and you will navigate through the sub-menus and eventually return to the main menu.

Chime Feature:

This feature can be set up by your installer and is most commonly enabled for doors using a magnetic contact. When activated you will hear a 'chime' sound to alert you whenever the door is opened.

To enable and disable chime, make sure all inputs with chime on are closed and press the **C** key whilst in day mode. This will display and remove a 'c' in the bottom right corner of the LCD.

'c' visible - Chime enabled

'c' hidden - Chime disabled



HU Alarm from keypad:

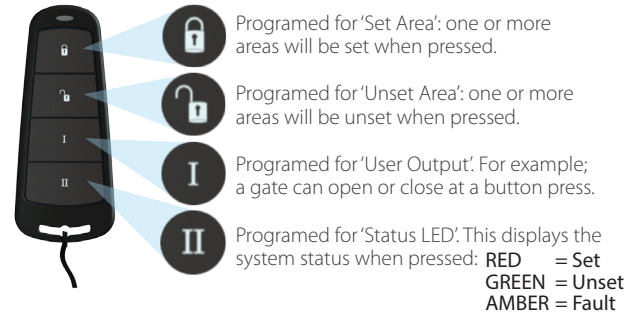
With the Surface or flush mount keypad (pictured on the right below) there is a dedicated HU Alarm button - hold this for 3 seconds to generate a HU Alarm

Note: The HU feature must be enabled by your engineer (silent or audible alarm options available).
This is not compliant for policed systems in the UK



Using the Keyfob *(If you have a Wireless ZEM):*

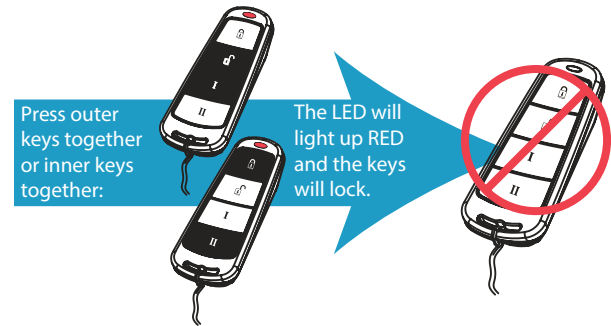
The wireless keyfob has four buttons that can be programmed to perform specific functions: **no action, show status, set area, unset area, latch output, timed output** and **HU alarm activation**. This can be customised to operate as desired (programed in the function 'Change Codes'). The keyfob diagram on the right shows how each button can be programmed:



Locking the keyfob:

All four buttons on the keyfob can be 'locked' to prevent you from accidentally pressing them. You can do this by pressing the two central keys together (🔒 & I) or the two outer keys together (🔒 & II) for >10 seconds.

As indicated on the diagram to the right. A RED LED will flash to indicate that the fob has been locked. To unlock the keyfob press the same two keys together again and a GREEN LED will flash to indicate that it is now unlocked. Please note that locking the keyfob disables all LED indications.



Quick Setting:

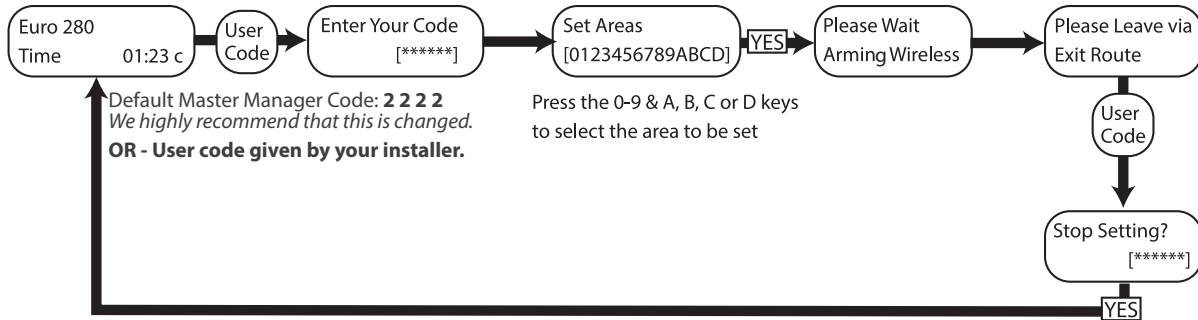
If you have chosen to program one of the keyfob buttons as 'Set Area', you can then opt to 'quick set' that area. When you press the button to set the area, the EURO 280 panel will begin to count down your exit time (depending on which exit mode has been programed by your engineer). Once this 'setting stage' begins, press the same button on the keyfob again and the system will set immediately.

The unset LED on the Control Panel will turn off and a beep will sound to signal that the system has been set. The RED LED on the keyfob will illuminate for a short time to confirm this.

Setting your EURO 280 panel

There are three ways that you can set your system.


1. Enter your user code and select any areas that are to be set, then press the **YES** button as shown below:



2. Present your tag and select any areas that are to be set, then press the **YES** button (presenting a tag takes you straight to the 'Set Areas' screen in the diagram above)

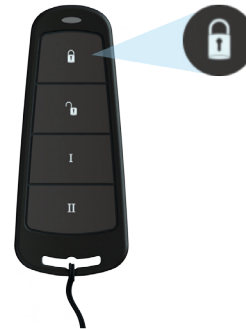
NOTE: Options 1 & 2 only function if 'Flexi Set' is selected as 'Yes' in the 'CHANGE CODES?' menu. If selected as 'No', then all areas allocated to your user code will set.



3. Press the set () button on the keyfob and then release, the keyfob will set the areas it has been assigned to by your installer.

NOTE: Your system may not have a wireless ZEM installed - and therefore not have keyfobs.

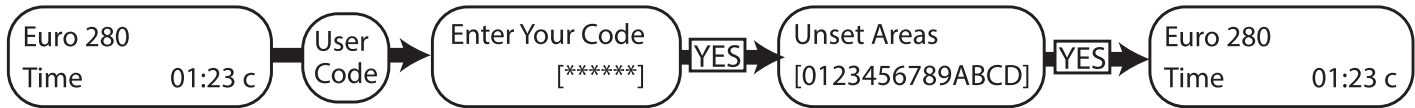
NOTE: The keyfob buttons can be programmed in the Master Manager 'CHANGE CODES' menu by going to 'Delete/Change User' and selecting keyfob from the list of users.



Unsetting your EURO 280 panel

There are three ways that you can unset your system.

1. Enter your user code and select any areas that are to be unset, then press the **YES** button as shown below:



Default Master Manager Code: **2 2 2 2**
We highly recommend that this is changed.
OR - User code given by your installer.

Press the 0-9 & A,B,C or D keys
to select the area to be unset

2. Present your tag and select any areas that are to be unset, then press the **YES** button (presenting a tag takes you straight to the 'Unset Areas' screen in the diagram above)

NOTE: Options 1 & 2 only function if 'Flexi Unset' has been enabled by your engineer. If it has not been enabled, then all areas allocated to your user code will unset.



3. Press the unset (🔓) button on the keyfob and then release, the keyfob will unset the areas it has been assigned to by your installer.

NOTE: Your system may not have a wireless ZEM installed - and therefore not have keyfobs.

NOTE: The keyfob buttons can be programmed in the Master Manager 'CHANGE CODES' menu by going to 'Delete/Change User' and selecting keyfob from the list of users.



Setting / Unsetting with the Tag Reader (optional extras)

It is possible to set and unset your system using a tag wherever a reader is installed.

Setting (See diagram to the right):

- i. Present a valid tag to the reader.
- ii. The GREEN LED will illuminate on the external reader (or the unset LED on the internal reader).
- iii. Remove the tag.
- iv. The door will unlock.
- v. Present the same tag within 10 seconds and the system will set and the door will lock displaying a RED LED.

Unsetting:

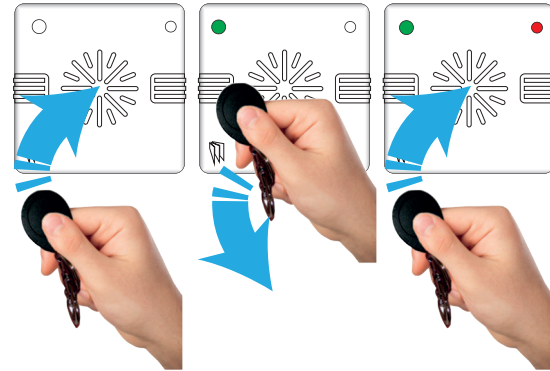
- i. Present a valid tag to the reader and then remove it.
- ii. The status will be shown (the alarm symbol will illuminate to indicate that the system is set on the internal reader, or the RED LED on the external reader).
- iii. Present the same tag again within 10 seconds and the system will be unset and the door will unlock.

Access Control/Entry Control:

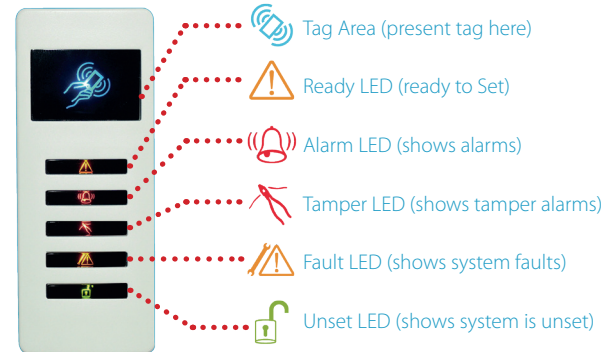
The readers can also be used for opening doors only, without the ability to set or unset. Please contact your installer for more information on this feature.

NOTE: If the alarm system fails to set, a fault will display on the internal tag reader or a 'failed to set' sound will activate on the external tag reader buzzer.

External Tag Reader LEDs (shown for system set)



Internal Tag Reader LEDs



The Wireless Arming Station (optional extra)

The wireless arming station mirrors the control panel keypad so as to control it from another room. You will notice that it has the same LEDs and symbols, and the same layout - it even has the same tag reader functionality. In addition to these features, it has direct output control, with 4 dedicated LEDs to indicate the status of your outputs (ON or OFF).

Setting and Unsetting using a Wireless Arming Station.

1 If you use a tag to set/unset, first, press any key (except **D**) to wake the arming station. If not, skip to step 2 and simply enter your code.

2 Swipe your tag against the reader **OR** enter your user code.
1 2 3 4
(Default User Code Shown)

NOTE: STEP 3 & 4 WILL ONLY HAPPEN DURING SETTING AND IF 'FLEXI-SET' IS ENABLED - OTHERWISE SETTING/UNSETTING WILL BEGIN AFTER STEP 2

3 Select the level or area (A, B, C or D) that you wish to set or unset - this will illuminate the key.

4 Finally Press Tick to begin the Setting / Unsetting sequence.

Controlling Outputs (switching gates, sprinklers, lights etc. if enabled by installer)

1 (MASTER MANAGER **OR** USER CODE)
D + 2 2 2 2
(DEFAULT MASTER MANAGER SHOWN)

2 (THESE KEYS WILL NOW ILLUMINATE)
1 2 3
4 5 6

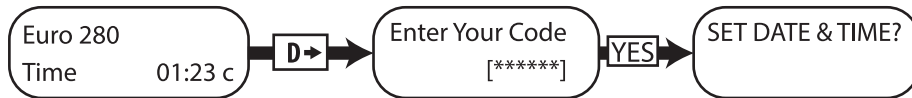
3 These OP1-4 LEDs will indicate the status of the outputs.
Pressing the illuminated 1, 2, 3, & 4 keys will toggle (switch) the corresponding output numbers ON and OFF.

Master Manager menu options

Set Date & Time	Programs the date and time and enables the summer-time automatic adjustment.
Operate User Outputs	Activates/deactivates user automation outputs that are used to remotely activate devices, such as electronic gates & lights.
Omit Inputs	Disables any Day Alarm input on the system until the system is fully set then unset.
Change Codes	Programs the user codes, tags and learns keyfobs to the HomeControl+ panel.
Review Logs	The 'Review Logs' function is used to view all operational information of the alarm system, such as setting/unsetting information, access control and alarm activations etc.
SMS Phonebook	If SMS texting is enabled, there will be up to 4 mobile numbers that can be programmed to send SMS alarms. Please discuss this feature with your installer if required. If it is enabled, mobile numbers can be edited here.
Walk Test	The 'Walk Test' function allows the testing of all programmed inputs on the alarm system.
Siren Test	This function is used to test the external siren (wired and wireless) and strobe.
Dial Out Menu	DO NOT USE - You may be asked to use this by an engineer over the phone if they are to remotely control your system
Allow Engineer Menu	If this function is enabled, the engineer will require authorisation from you before they can access the engineer menu.
Block Remote Set	Blocks any attempt at setting the system remotely via the upload/download software functionality.
Block UDL	Blocks any attempt at dialling into the system remotely via the upload/download software functionality.
Exit Manager Menu	Exits the Master Manager menu.

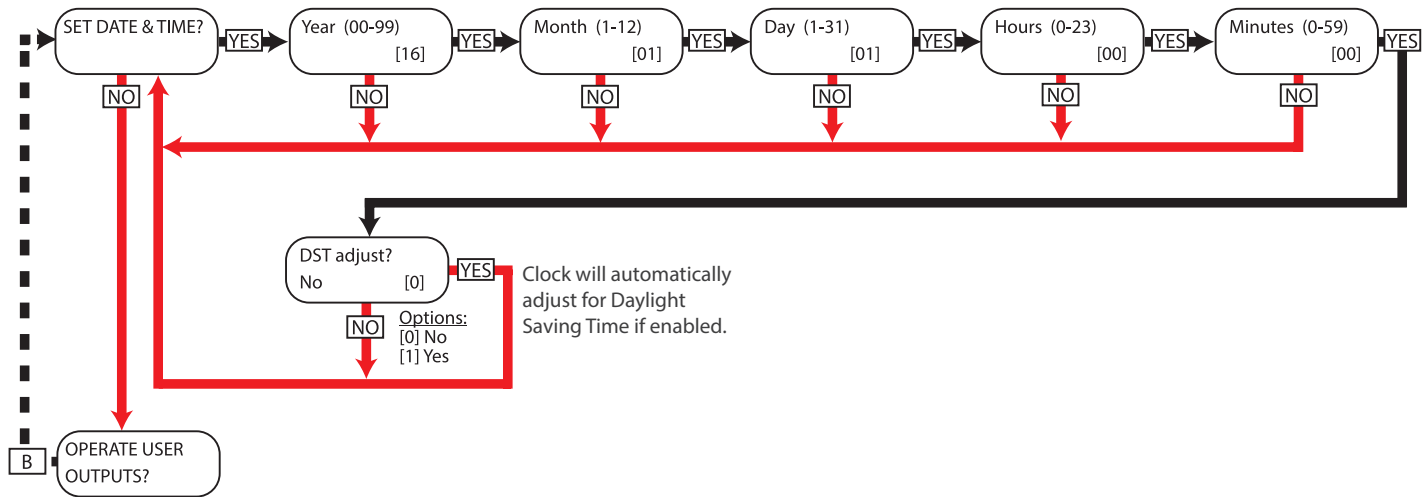
NOTE 1: Pressing the **A** key will exit the master manager menu at any main menu option above.

Entering the Master Manager menu

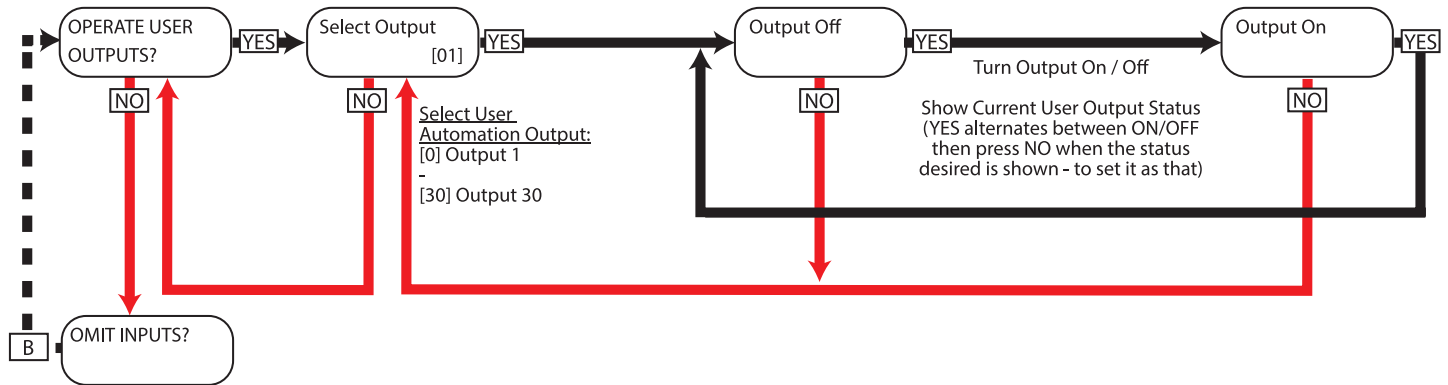


Default Master Code is: 2 2 2 2
We recommend that
this is changed

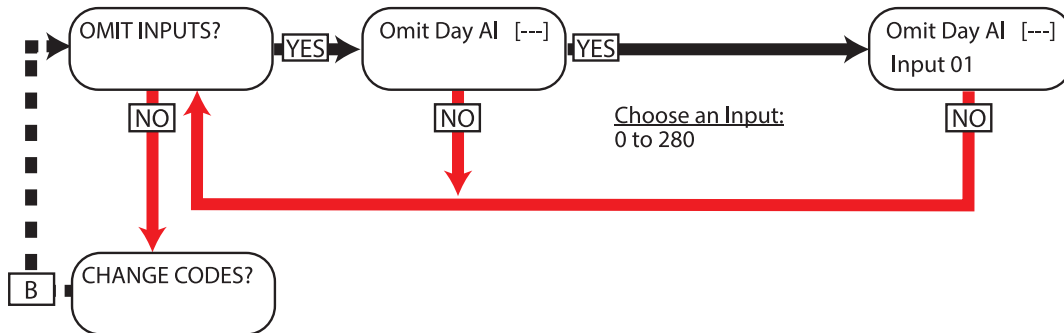
Master Manager menu: Date and Time



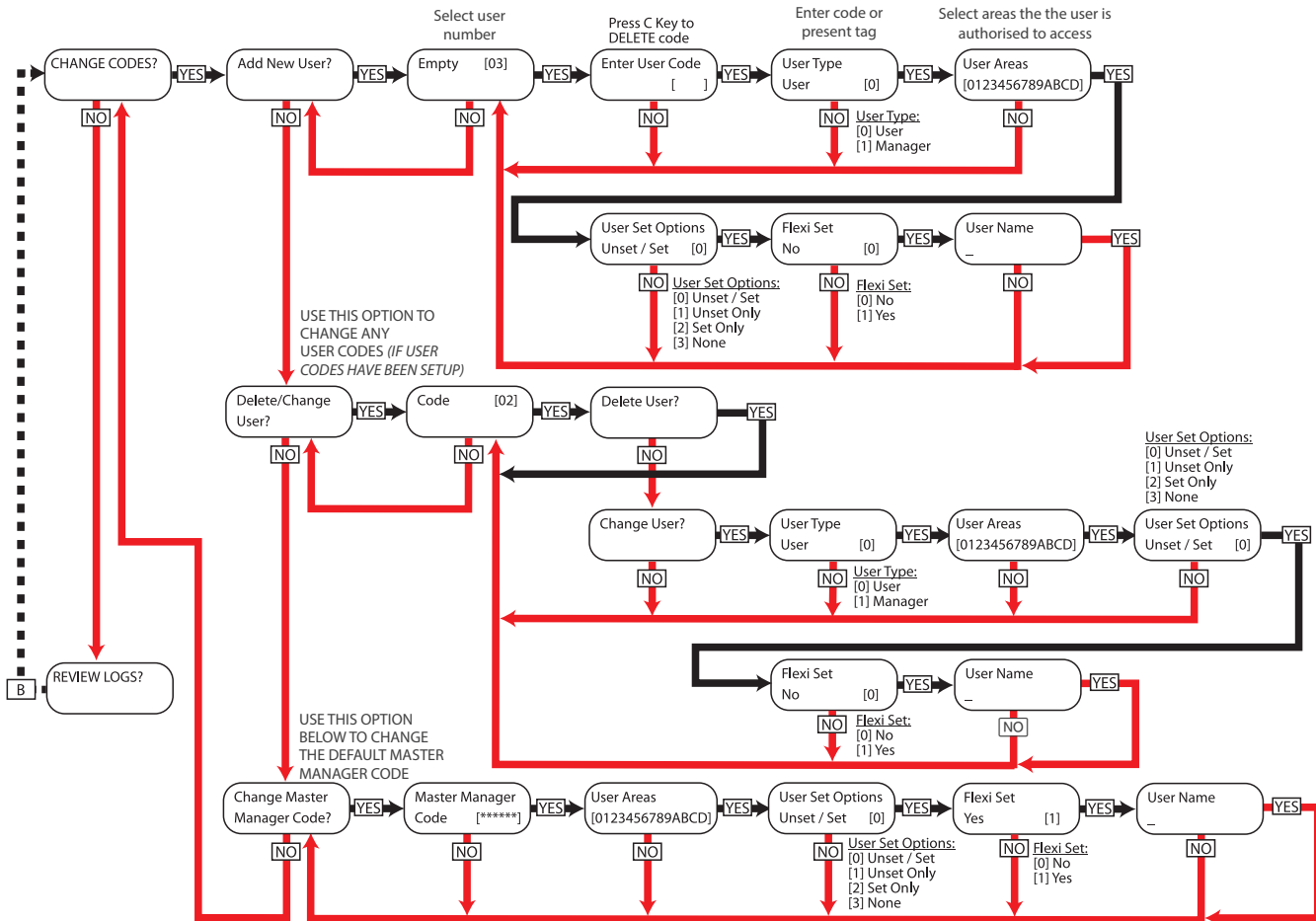
Master Manager menu: Operate User Automation Outputs



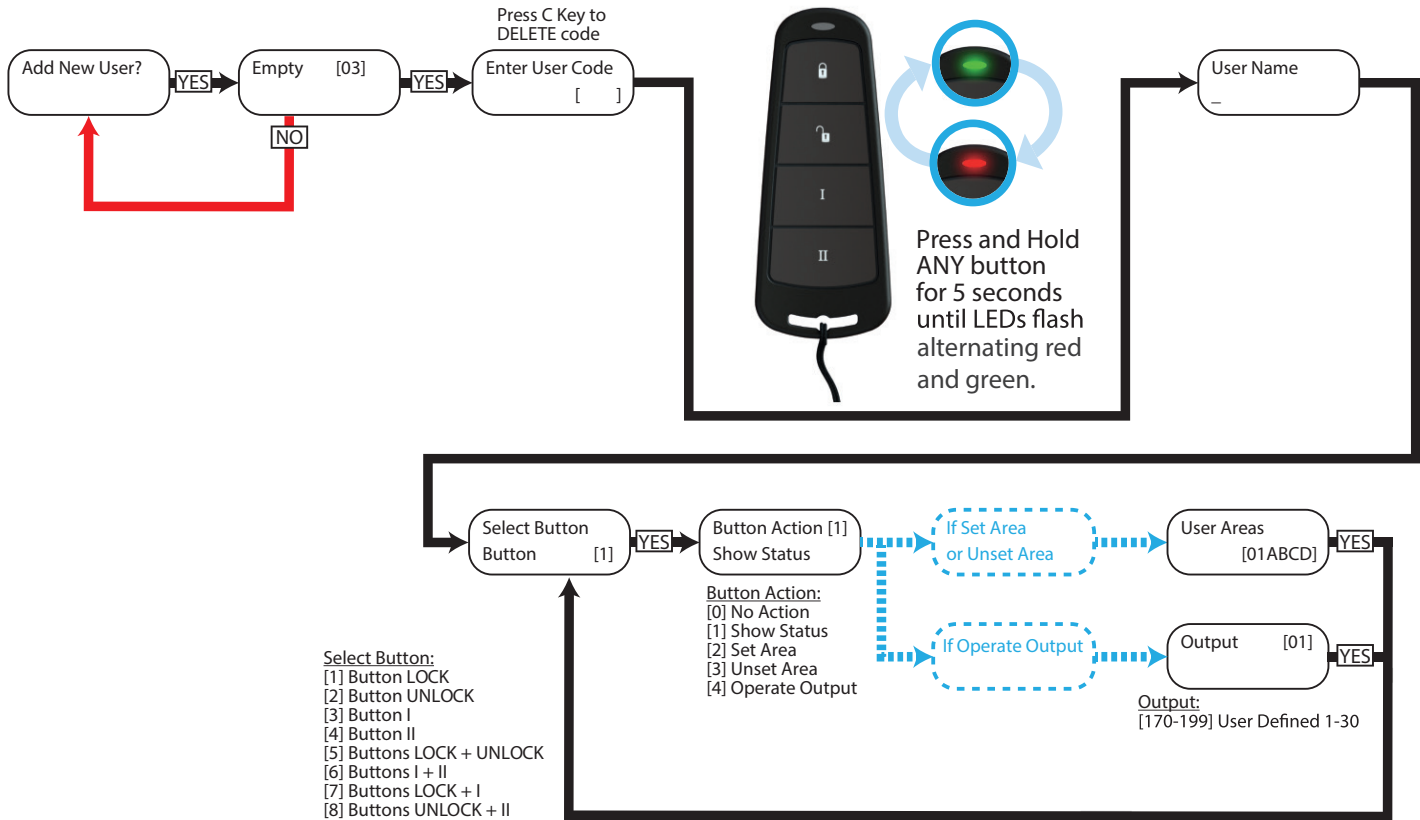
Master Manager menu: Omit Inputs



Master Manager menu: Change Codes - *configure user codes*

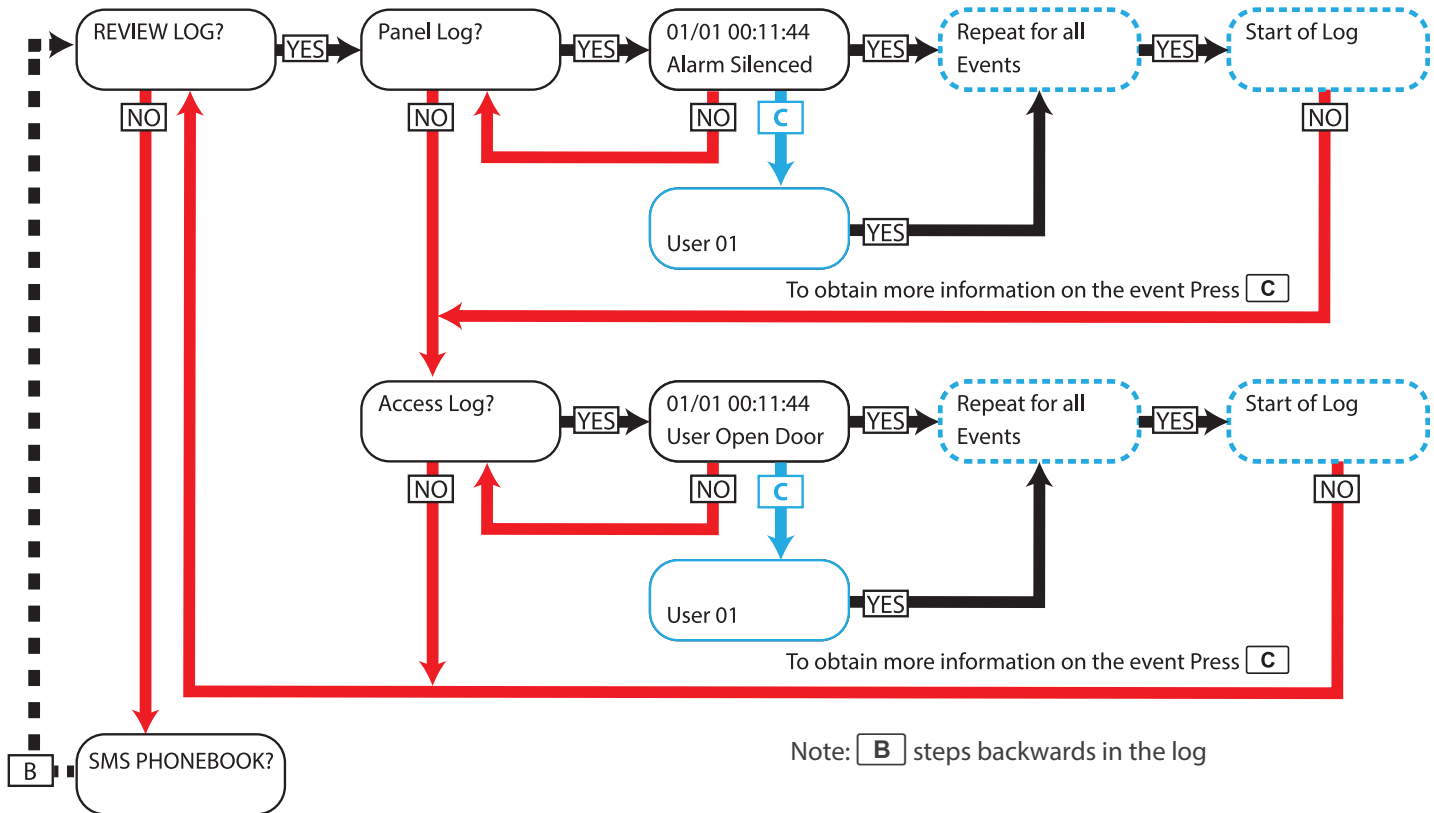


Change Codes: Learn / Configure Keyfobs (only available on systems with a wireless ZEM)

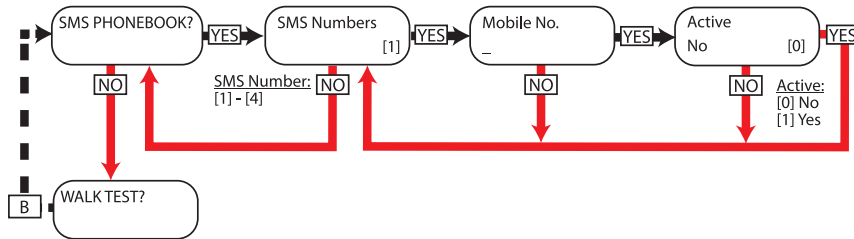


Master Manager menu: Review Logs

This menu can be used to access the full panel and access logs - in order to check the history of events that have transpired on your alarm system.

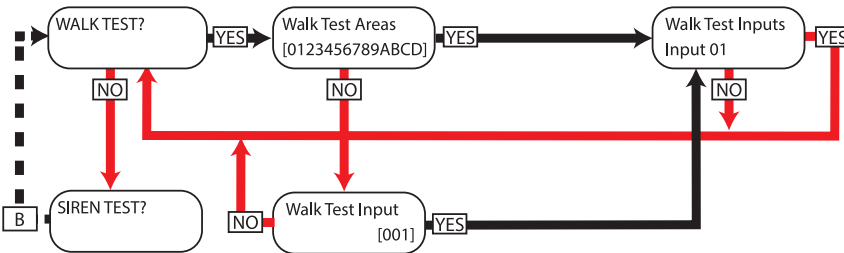


Master Manager menu: SMS Phonebook



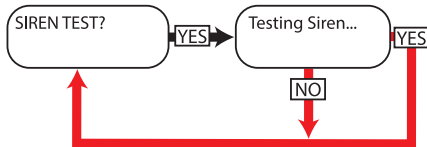
NOTE: UK numbers can be entered with or without an international dialling code (e.g. +44). If you need to enter an international dialling code to send the message to a foreign SIM card, use the **A** key to enter the '+' symbol.

Master Manager menu: Walk Test

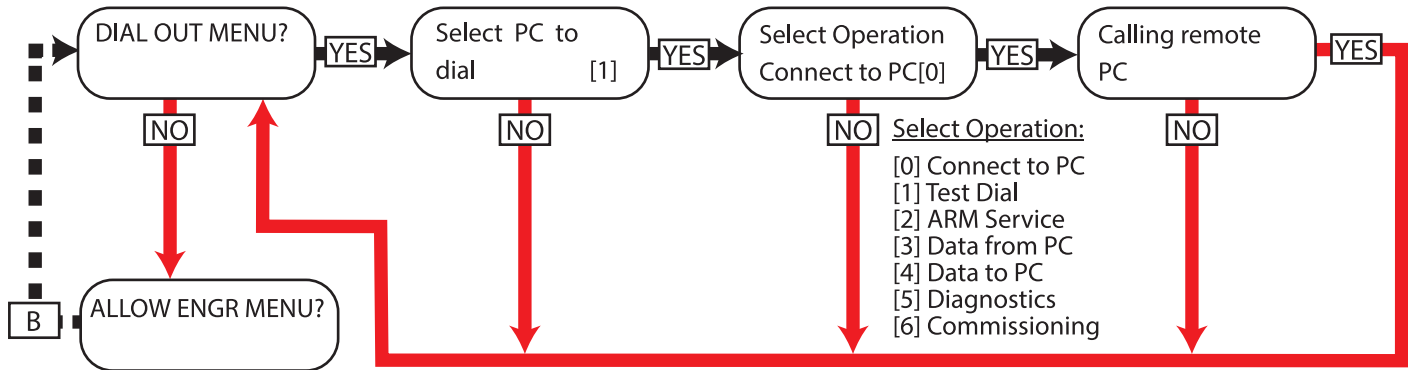


NOTE: Select the Areas that you would like to 'walk test' and then walk around those areas in your property in order to trigger the detectors in every area selected in the 'walk test areas' menu. Once you have done this you will see 'walk test complete' displayed on the keypad.

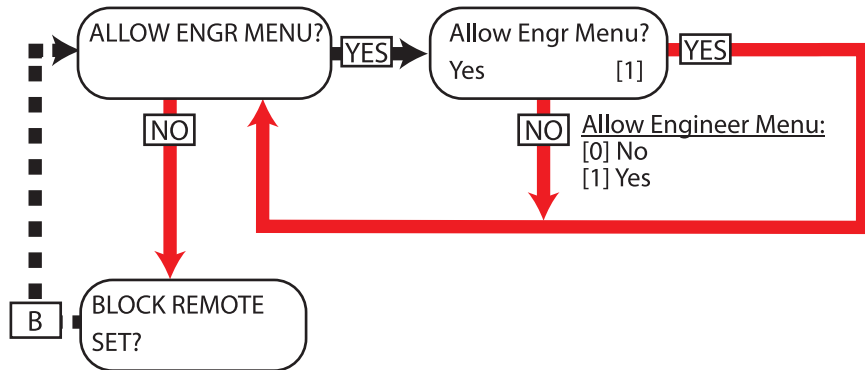
Master Manager menu: Siren Test



Master Manager menu: Dial Out Menu

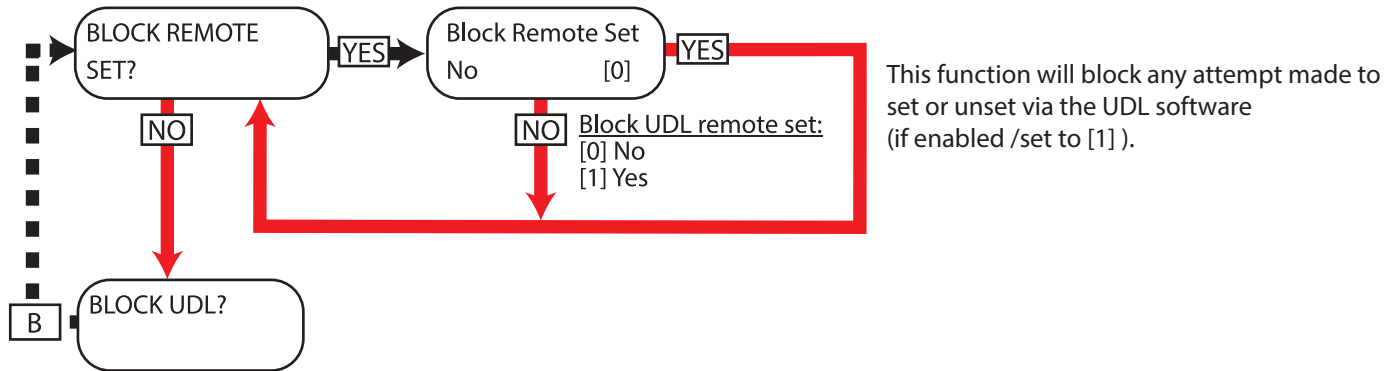


Master Manager menu: Allow Engineer Menu

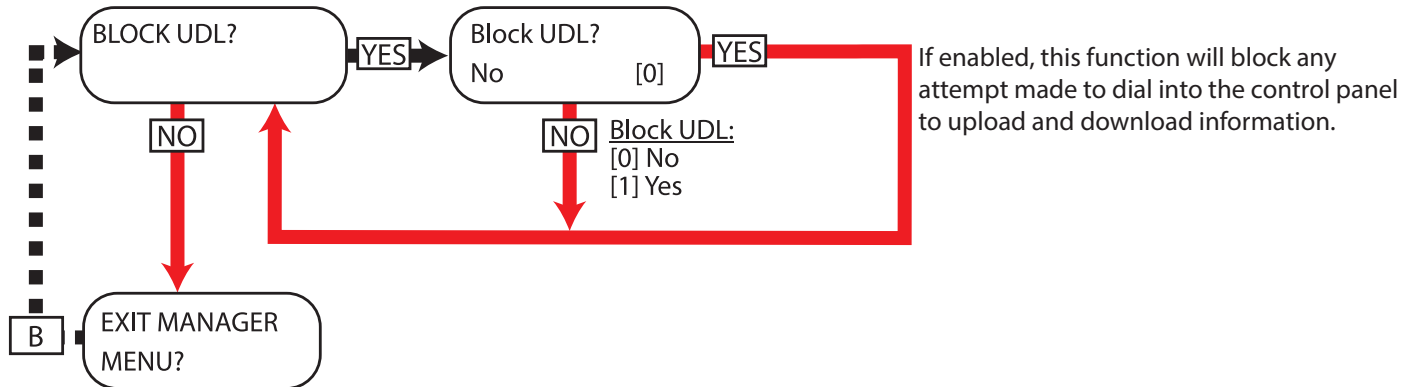


This function can be used to disable the engineer menu so that your installation engineer cannot change settings unless you first allow access.

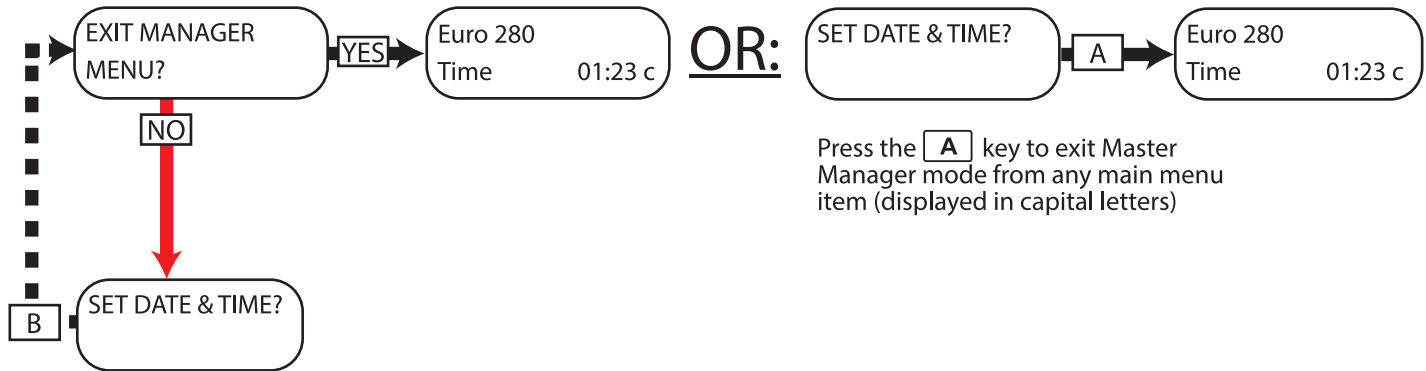
Master Manager menu: Block Remote Set



Master Manager menu: Block UDL



Master Manager menu: Exit Master Manager menu



Press the **A** key to exit Master Manager mode from any main menu item (displayed in capital letters)

Engineer Contacts / Installation Record Table

Alarm Installation Company:	
Date of Installation:	
Site Reference:	
Engineer Name:	
Engineer Contact Number:	
Installed to Grade 2:	Yes / No
Installed to Grade 3:	Yes / No
Environmental Class:	II
Other Comments:	

User Tables

User	Name	Code/Tag
1		
2		
3		
4		
5		
6		
7		
8		
9		
10		
11		
12		
13		
14		
15		
16		
17		
18		
19		
20		
21		
22		
23		
24		
25		
26		
27		

User	Name	Code/Tag
28		
29		
30		
31		
32		
33		
34		
35		
36		
37		
38		
39		
40		
41		
42		
43		
44		
45		
46		
47		
48		
49		
50		
51		
52		
53		
54		

User	Name	Code/Tag
55		
56		
57		
58		
59		
60		
61		
62		
63		
64		
65		
66		
67		
68		
69		
70		
71		
72		
73		
74		
75		
76		
77		
78		
79		
80		
81		

User	Name	Code/Tag
82		
83		
84		
85		
86		
87		
88		
89		
90		
91		
92		
93		
94		
95		
96		
97		
98		
99		
100		
101		
102		
103		
104		
105		
106		
107		
108		

User	Name	Code/Tag
109		
110		
111		
112		
113		
114		
115		
116		
117		
118		
119		
120		
121		
122		
123		
124		
125		
126		
127		
128		
129		
130		
131		
132		
133		
134		
135		
136		
137		

User	Name	Code/Tag
138		
139		
140		
141		
142		
143		
144		
145		
146		
147		
148		
149		
150		
151		
152		
153		
154		
155		
156		
157		
158		
159		
160		
161		
162		
163		
164		
165		
166		

User	Name	Code/Tag
167		
168		
169		
170		
171		
172		
173		
174		
175		
176		
177		
178		
179		
180		
181		
182		
183		
184		
185		
186		
187		
188		
189		
190		
191		
192		
193		
194		
195		

User	Name	Code/Tag
196		
197		
198		
199		
200		
201		
202		
203		
204		
205		
206		
207		
208		
209		
210		
211		
212		
213		
214		
215		
216		
217		
218		
219		
220		
221		
222		
223		
224		

User	Name	Code/Tag
225		
226		
227		
228		
229		
230		
231		
232		
233		
234		
235		
236		
237		
238		
239		
240		
241		
242		
243		
244		
245		
246		
247		
248		
249		
250		
251		
252		
253		

User	Name	Code/Tag
254		
255		
256		
257		
258		
259		
260		
261		
262		
263		
264		
265		
266		
267		
268		
269		
270		
271		
272		
273		
274		
275		
276		
277		
278		
279		
280		
281		
282		

User	Name	Code/Tag
283		
284		
285		
286		
287		
288		
289		
290		
291		
292		
293		
294		
295		
296		
297		
298		
299		
300		
301		
302		
303		
304		
305		
306		
307		
308		
309		
310		
311		

User	Name	Code/Tag
312		
313		
314		
315		
316		
317		
318		
319		
320		
321		
322		
323		
324		
325		
326		
327		
328		
329		
330		
331		
332		
333		
334		
335		
336		
337		
338		
339		
340		

User	Name	Code/Tag
341		
342		
343		
344		
345		
346		
347		
348		
349		
350		
351		
352		
353		
354		
355		
356		
357		
358		
359		
360		
361		
362		
363		
364		
365		
366		
367		
368		
369		

User	Name	Code/Tag
370		
371		
372		
373		
374		
375		
376		
377		
378		
379		
380		
381		
382		
383		
384		
385		
386		
387		
388		
389		
390		
391		
392		
393		
394		
395		
396		
397		
398		

User	Name	Code/Tag
399		
400		
401		
402		
403		
404		
405		
406		
407		
408		
409		
410		
411		
412		
413		
414		
415		
416		
417		
418		
419		
420		
421		
422		
423		
424		
425		
426		
427		

User	Name	Code/Tag
428		
429		
430		
431		
432		
433		
434		
435		
436		
437		
438		
439		
440		
441		
442		
443		
444		
445		
446		
447		
448		
449		
450		
451		
452		
453		
454		
455		
456		

User	Name	Code/Tag
457		
458		
459		
460		
461		
462		
463		
464		
465		
466		
467		
468		
469		
470		
471		
472		
473		
474		
475		
476		
477		
478		
479		
480		
481		
482		
483		
484		
485		

User	Name	Code/Tag
486		
487		
488		
489		
490		
491		
492		
493		
494		
495		
496		
497		
498		
499		
500		

Pyronix Guarantee

At Pyronix Limited we are proud of our products and believe that we ensure both suitable materials and the utmost skill and care are used in manufacturing them.

We are confident in the abilities of the installers and distributors to whom we sell our products, and the high standards that they employ to ensure that Pyronix products are delivered to you in the same condition as they left us.

Pyronix Limited warrants that all our manufactured products shall be free from defects in workmanship and material for the period specified on the batch label relating to the product supplied (the "Pyronix Guarantee period" for that product).

Some Pyronix products are capable of generating voice messages, digital messages and text messages via SMS. In order for these messages to reach their intended destination, the Pyronix product needs to be connected to network and transmission facilities operated by third parties.

Pyronix is not responsible for the operation of the network, any incompatibility between the Pyronix products and the connected network and transmission facilities, the delivery and non-delivery of these messages, network and transmission failures, the third parties service level, or the costs associated with the delivery of these messages.

We hope that you will not, but if you find that any Pyronix product is defective or contains defects in workmanship or material please contact the business which supplied that product to you, and ask them to liaise with us about it. They may need the product to be returned to them for assessment and analysis.

Products which are found not to have been properly maintained or not to function properly as a result of misuse, abuse, improper installation, neglect or have been damaged by disasters such as fire and floods, will not be repaired or replaced by Pyronix Limited under this guarantee, and Pyronix shall not bear the cost of returning the product (and any other affiliated cost).

Product Information

For electrical products sold within the European Community, at the end of the electrical products useful life, it should not be disposed of with household waste. Please recycle where facilities exist. Check with your Local Authority or retailer for recycling advice in your country.

When disposing of products & accessories, the batteries must be removed and disposed of separately in accordance with local regulations.



EN50131-1:2006+A1:2009
EN50131-3:2009
EN50131-6:2008+A1:2014
EN50131-5-3:2005+A1:2008
Security Grade 2 & 3
Environmental Class II



Secure Holdings, Pyronix House, Braithwell Way, Hellaby, Rotherham, S66 8QY, United Kingdom.